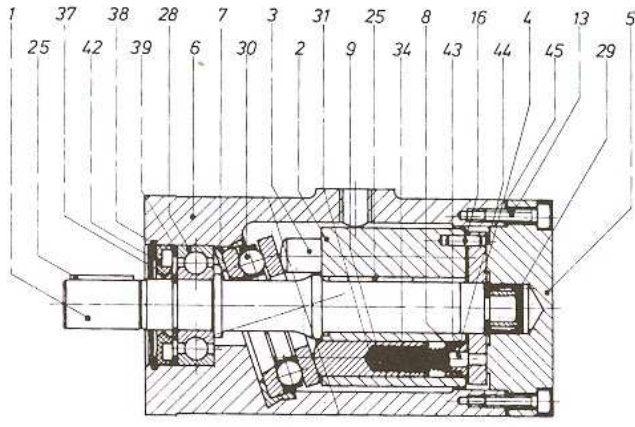


| Pos. | Bezeichnung | Stück | Zeichnungs-Nr. | Bemerkungen |
|------|--------------------------|-------|----------------|----------------------|
| 1 | Welle | 1 | 251 - 5.10 | |
| 2 | Kolben | 7 | 251 - 6.19 | |
| 3 | Kolben | 7 | 251 - 7.6 | |
| 4 | Spiegelscheibe | 1 | 251 - 8.2 | |
| 5 | Steuerspiegel | 1 | 251 - 10.19 | |
| 6 | Gehäuse | 1 | 251 - 11.11 | |
| 7 | Dichtmanschetten | 7 | 251 - 20.7 | |
| 8 | | | | |
| 9 | | | | |
| 10 | | | | |
| 11 | | | | |
| 12 | Innensechskantschraube | 6 | a 18.15 | DIN912 M4 x 15 |
| 13 | | | | |
| 14 | Passfeder | 1 | 1109 | DIN685 4x4x15 |
| 15 | | | | |
| 16 | Axiallager | 1 | a 27.11 | DIN711 20x40x13 |
| 17 | Rollenkugellager | 1 | a 25.03 | DIN625 12x28x8 |
| 18 | Nadelhülse (Nadelh.) | 1 | a 27.08 | DB 7 11 9 |
| 19 | | | | |
| 20 | | | | |
| 21 | Simmering | 1 | y 225 | DIN3750 12x28x7 |
| 22 | O-Ring | 7 | y 245 | DIN3770 O-Ring 13x24 |
| 23 | Papierdichtung | 1 | y 184 | Klingent |
| 24 | Stopfen | 1 | y 27 | R 7/8" |
| 25 | ii | 2 | y 28 | R 1/2" |
| 26 | Stützring | 7 | y 246 | 12 x 2,05 x 1,0 |
| 27 | Federn | 7 | p 2226 | |
| 28 | | | | |
| 29 | Spinn | 1 | f 2226 | DIN7 2 x 10 |
| 30 | Spriegel (Seeger) | 2 | PSS 12 | DIN5477 SW 12 |
| 31 | Seegering | 7 | PSA 12 | DIN71 12 |
| 32 | ii | 1 | PSI 28 | DIN72 28 |
| 33 | Stahlsaugleinlassscheibe | 1 | PSS 28 | 20x28 |
| 34 | Verbstift | 2 | g 10.3 | DIN1476 2x4 |
| 35 | | | | |
| 36 | Typenschild | 1 | ko 3119 | |
| 37 | | | | |
| 38 | | | | |
| 39 | | | | |
| 40 | | | | |
| 41 | | | | |
| 42 | | | | |
| 43 | | | | |
| 44 | | | | |
| 45 | | | | |
| 46 | | | | |
| 47 | | | | |
| 48 | | | | |
| 49 | | | | |
| 50 | | | | |
| 51 | | | | |
| 52 | | | | |
| 53 | | | | |
| 54 | | | | |
| 55 | | | | |
| 56 | | | | |

No. 251.04
 Name: HMS 69
 Stückzahl je Baugr.:
 Material: 2.1
 Hersteller: Maschinenwerke Frankfurt
 Datum: 1959
 Zeichnungs-Nr.: 251.04
 Stückzahl: 1
 Material: 2.1
 Hersteller: Maschinenwerke Frankfurt
 Datum: 1959

Axialkolbenmotor HMS 69

Maschinenwerke Frankfurt 1111251159E000



| Pos. | Bezeichnung | Stück | Zeichnungs-Nr. | Bemerkung |
|------|------------------------|-------|----------------|-------------------------------|
| 1 | Welle | 1 | 351 - 5.9 | |
| 2 | Kolben | 7 | 351 - 6.5 | |
| 3 | Kolben | 7 | 351 - 7.9 | |
| 4 | Spiegelscheibe | 1 | 351 - 8.5 | |
| 5 | Steuerspiegel | 1 | 351 - 10.14 | |
| 6 | Gehäuse | 1 | 351 - 11.5 | |
| 7 | Einlegerring | 1 | 351 - 15.6 | |
| 8 | Dichtmanschetten | 7 | 351 - 20.7 | |
| 9 | Federfuß | 7 | 351 - 27.1 | |
| 10 | | | | |
| 11 | | | | |
| 12 | | | | |
| 13 | Innensechskantschraube | 6 | a 19.53 | DIN912 M5 x 20 |
| 14 | | | | |
| 15 | | | | |
| 16 | Zylinderschliff | 1 | f 21.99 | DIN7 1/2 x 14 |
| 17 | | | | |
| 18 | | | | |
| 19 | Verbstift | 2 | g 10.3 | DIN1476 2x4 |
| 20 | | | | |
| 21 | | | | |
| 22 | Typenschild | 1 | ko 3119 | |
| 23 | | | | |
| 24 | | | | |
| 25 | Paßfeder | 2 | 11963 | DIN68850L 2 6x6x25 |
| 26 | | | | |
| 27 | | | | |
| 28 | Rollenkugellager | 1 | a 21.89 | DIN625 20x47x14 |
| 29 | Nadellager | 1 | a 26.8 | DIN627 10x28x12 Innebo |
| 30 | Axiallager | 1 | a 26.88 | DIN711 10x40x21 |
| 31 | Kugellager | 2 | a 19.15 | DIN5401 5 |
| 32 | | | | |
| 33 | | | | |
| 34 | Druckfeder | 7 | p 2215 | |
| 35 | | | | |
| 36 | | | | |
| 37 | Seegering | 1 | PSA 20 | DIN471 20 |
| 38 | ii | 1 | PSI 47 | DIN472 47 |
| 39 | Spriegel | 1 | PSS 45 | DIN5477 14.5 5B 4.5 |
| 40 | | | | |
| 41 | | | | |
| 42 | Simmering | 1 | y 17.0 | DIN5503 25x47x7 |
| 43 | O-Ring | 7 | y 247 | DIN3770 O-Ring 13x24 |
| 44 | Stützring | 7 | y 248 | SRA 15x20.5x11zu-Pass 20Hnzuz |
| 45 | Dichtung | 1 | y 177 | MW Klingent |
| 46 | Stopfen | 1 | y 28 | Kopsto F9 |
| 47 | ii | 2 | y 29 | R F 12 |
| 48 | | | | |
| 49 | | | | |
| 50 | | | | |
| 51 | | | | |
| 52 | | | | |
| 53 | | | | |
| 54 | | | | |
| 55 | | | | |
| 56 | | | | |
| 57 | | | | |

No. 251.04
 Name: HMS 14
 Stückzahl je Baugr.:
 Material: 2.1
 Hersteller: Maschinenwerke Frankfurt
 Datum: 1959
 Zeichnungs-Nr.: 251.04
 Stückzahl: 1
 Material: 2.1
 Hersteller: Maschinenwerke Frankfurt
 Datum: 1959

Axialkolbenmotor HMS 14

Maschinenwerke Frankfurt 1111251170E000